

# Seed feed distribution

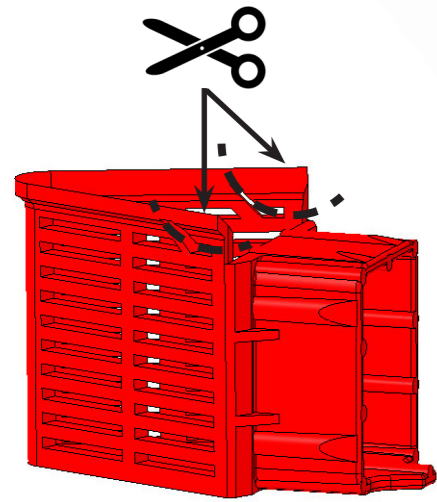
Plugs needed for the seed feed syst:

185961 32 (1 row shut off)

Note! Set tramline to disabled!

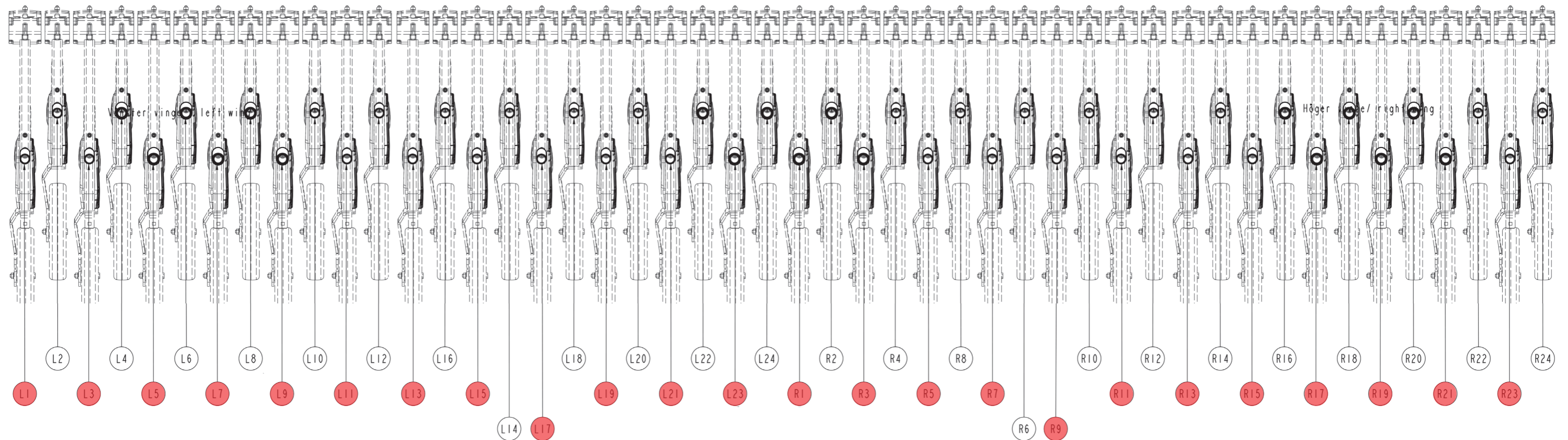
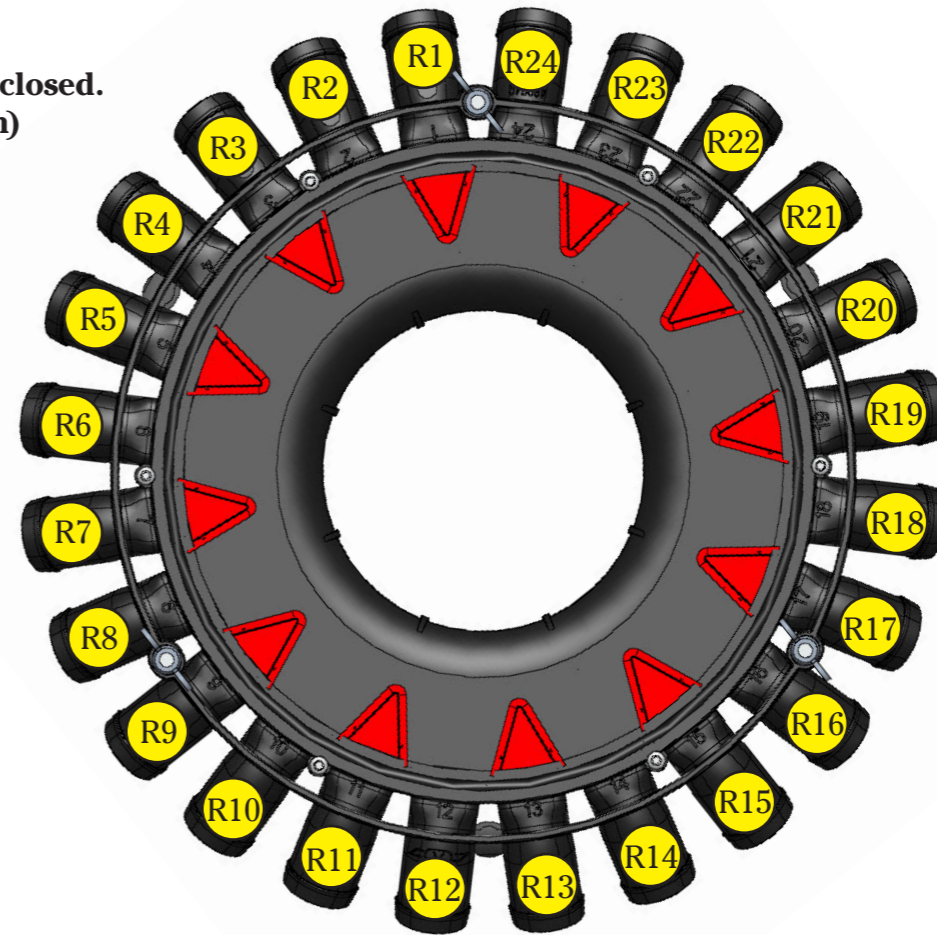
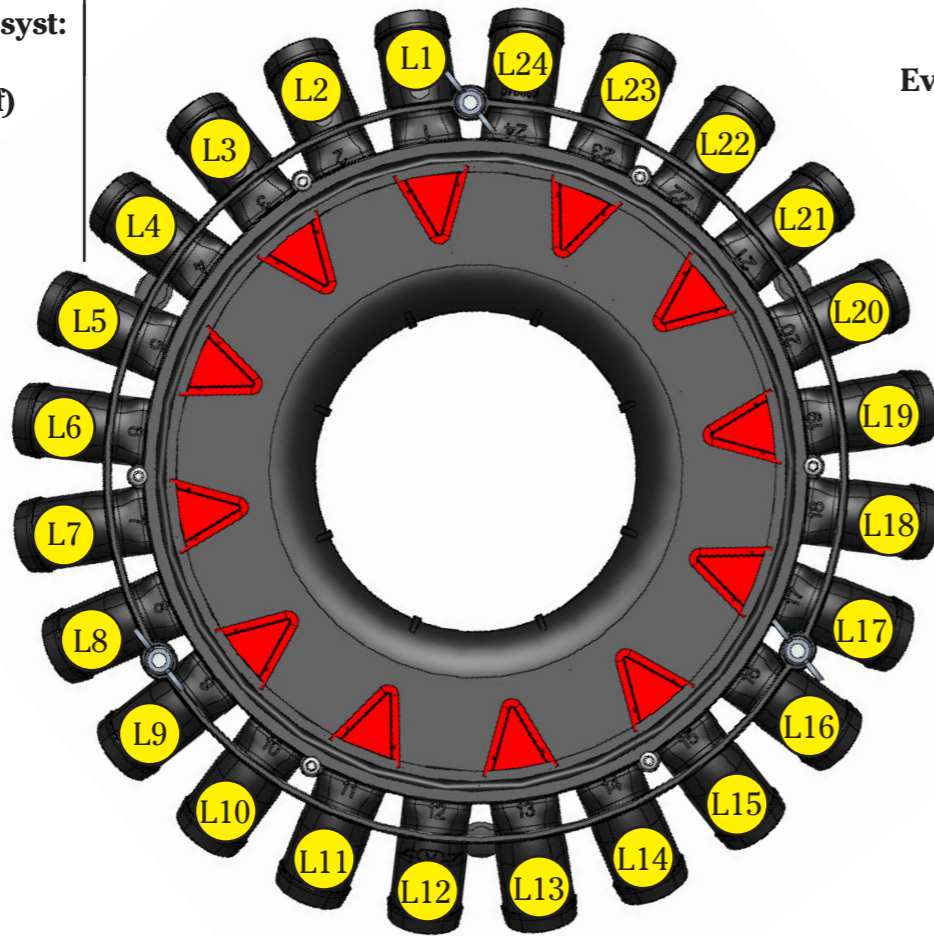
The machine will be offset because 1 row shut off on left side and opened on the right.

Cut the corners to fit the lid.



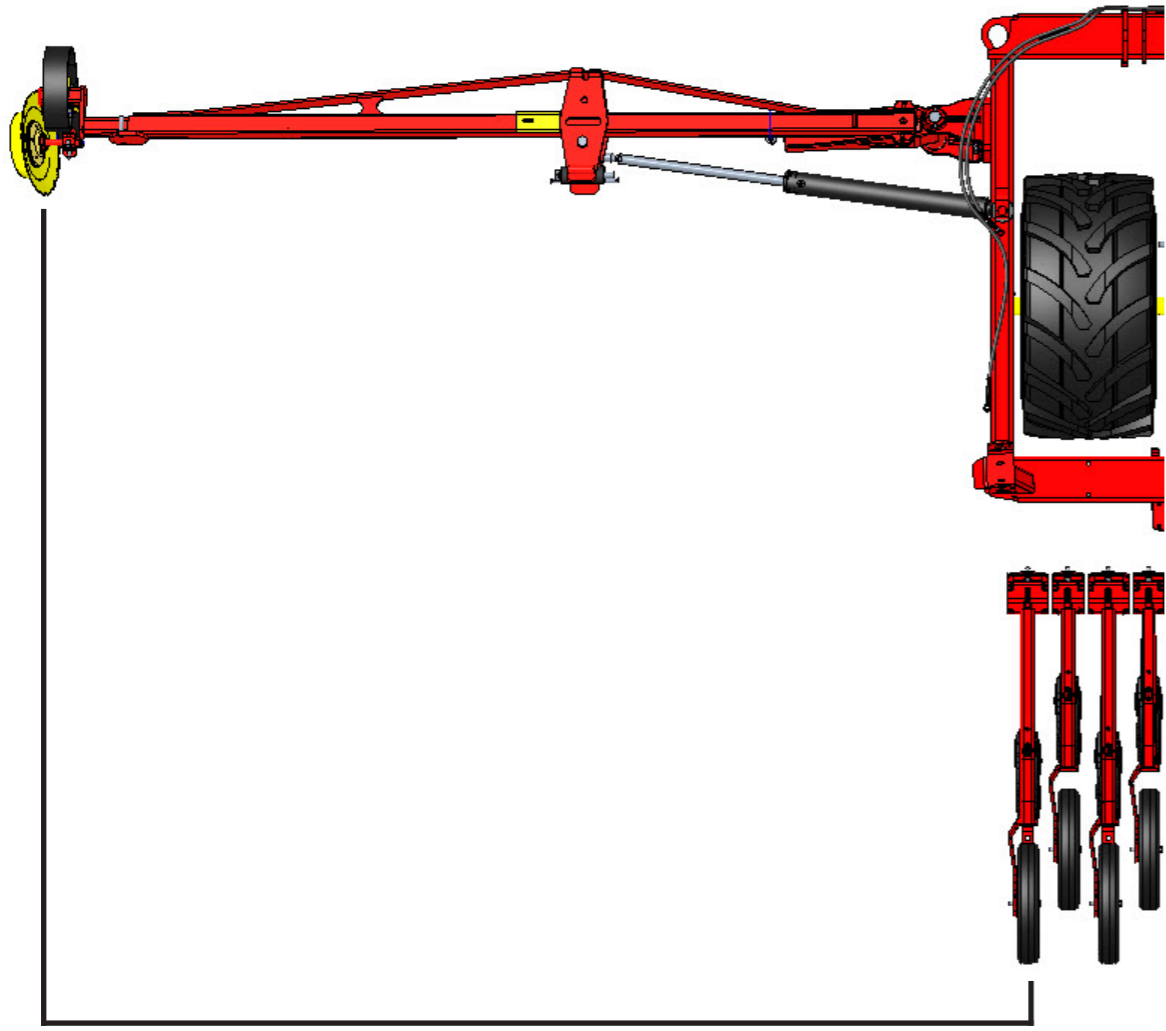
# Spirit 600C

Plug set up  
Every second row closed.  
(c-c = 250 mm)



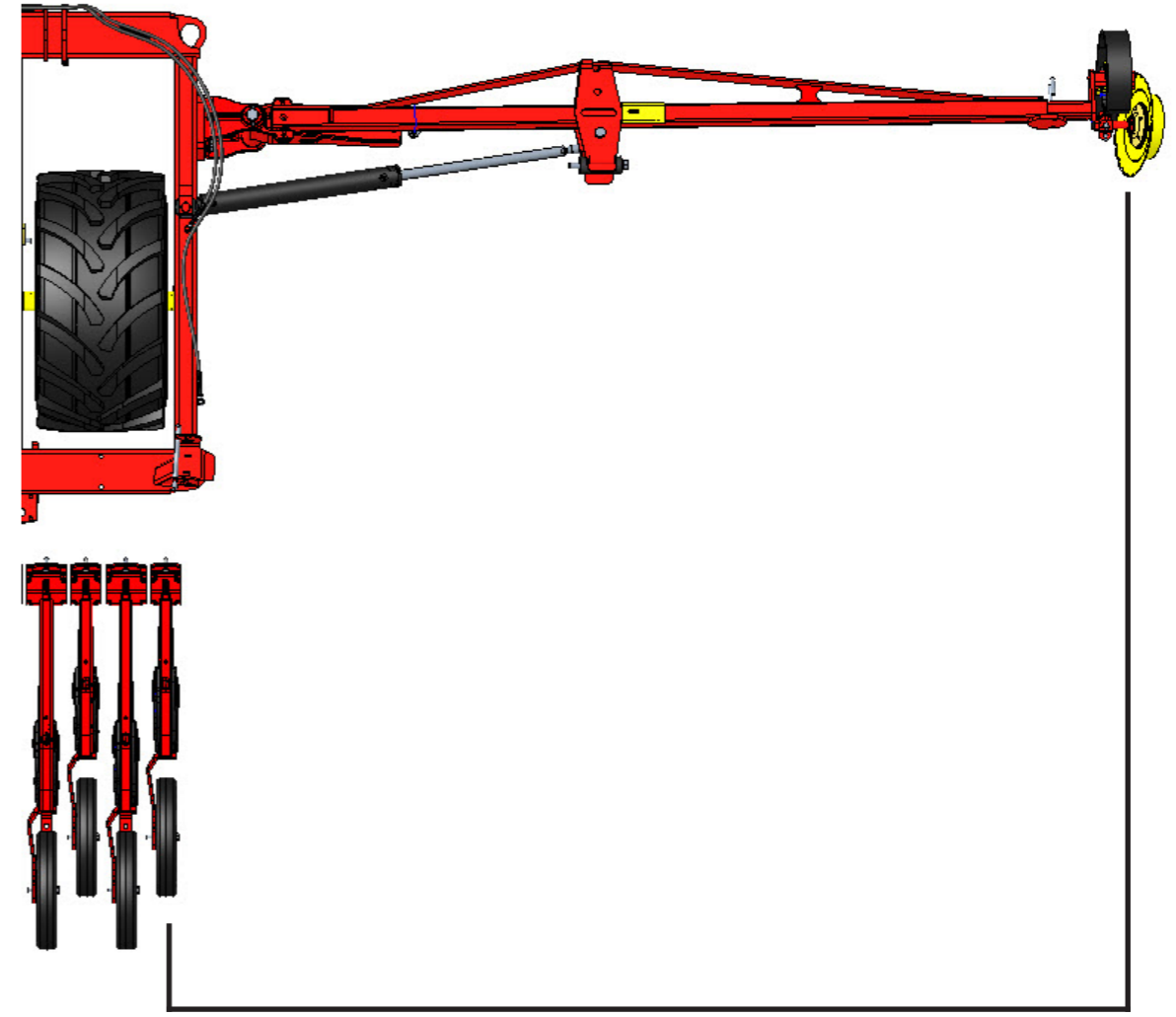
# Marker arm settings

Left marker



2,94 m

Right marker



3,18 m